



KEYLIGHT
SPAIN
LIGHTING PRODUCTS



LED STRIPS & ALUMINUM PROFILING

ABOUT US

Keylight Spain is a leading specialist in lighting products from Valencia, Spain.

We use the latest LED technology to create a unique range of lighting solutions.

Known by the high quality of our materials and innovative approaches when it comes to lighting, we offer a comprehensive selection of products, including LED lights, luminaires, drivers, control systems, accessories and more.

Our creative scope allows us to tackle even the most complex lighting projects, while our extensive experience and customer service ensure your lighting needs are met with the utmost satisfaction.

Therefore, our mission is to meet and satisfy the needs of our clients, with tailored products and services including collaborative marketing campaigns and market-specific product design to support our partners worldwide.

LED STRIPS

ALUMINUM PROFILING



KEYLIGHT

SPAIN

LIGHTING PRODUCTS



KEYLIGHT

SPAIN

LIGHTING PRODUCTS

LED Strip AZ-5191



FEATURES

- 12V 15W/M
- 2200-6500K multi-color temperature optional
- 3-years Warranty



KEYLIGHT

SPAIN

LIGHTING PRODUCTS

AZ-5191

SPECIFICATIONS

Product Code	AZ-5191
IP Rating	IP20
ROHS Instruction	Environmental Protection
Connection Type	Simple Type Wire Connection
Color Temperature	3000/4000/6000k
Lifetime(H)	30000H
Input Power(W)	15W/M
Input Voltage(V)	12VDC
Power Factor	->0.9
Storage Temperature	-30°C ~ +50°C
Working Temperature	-20°C ~ +40°C
LED Luminous Flux	110LM/W
Beam Angle	120°
FPC board	10mm
LED Quantity	SMD2835 168P
LED Type	EPISTAR
CRI	>80
SCDM	<5 SDM
Maximum Connection Length	5m
Minimum cut Length	18mm
Packaging Size(mm)	385mm*350mm*210mm
G.W(KGS)	6.9KG/CTN
Warranty	3-years

LED Strip AZ-2420



KEYLIGHT

SPAIN

LIGHTING PRODUCTS

FEATURES

- 24V 15W/M
- 2200-6500K multi-color temperature optional
- 3-years Warranty

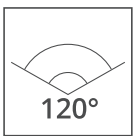
AZ-2420

SPECIFICATIONS

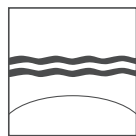


Product Code	AZ-2420
IP Rating	IP20
ROHS Instruction	Environmental Protection
Connection Type	Simple Type Wire Connection
Color Temperature	3000/4000/6000k
Lifetime(H)	30000H
Input Power(W)	15±10%W/M
Input Voltage(V)	24VDC
Power Factor	->0.9
Storage Temperature	-30°C ~ +50°C
Working Temperature	-20°C ~ +40°C
LED Luminous Flux	110LM/W
Beam Angle	120°
FPC board	10mm
LED Quantity	SMD2835 168P
Product Luminous Flux(lm)	1600lm ±10%
LED Type	EPISTAR
CRI	>80
SCDM	<5 SDM
Maximum Connection Length	5m
Minimum cut Length	18mm
Packaging Size(mm)	385mm*350mm*210mm
G.W(KGS)	6.9KG/CTN
Warranty	3-years

LED Strip AZ-5125



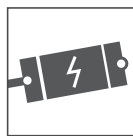
Beam Angle



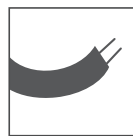
IP Protection



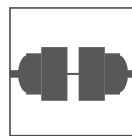
Warranty



Power Supplies



Cables



Connectors



KEYLIGHT

SPAIN
LIGHTING PRODUCTS

FEATURES

- 2200-6500K multi-color temperature optional
- High efficiency and up to 120lm/W, 3LEDs or 6LEDs per cutting unit electrical design
- Only one bin per color for carefree handling and re-ordering
- Regular binning within 3step or 5step Macadam
- Narrower color variance than ANSI/CIE standard
- Offer CRI up to Ra80
- Easy installation due to solder-free connectors system optionally

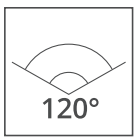
AZ-5125

SPECIFICATIONS

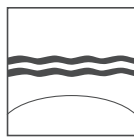


Product Code	AZ-5125
IP Rating	IP20
ROHS Instruction	Environmental Protection
Connection Type	Simple Type Wire Connection
Color Temperature	3000/4000/6000k
Lifetime(H)	30000H
Input Power(W)	25W/M
Input Voltage(V)	12VDC
Power Factor	>0.9
Storage Temperature	-30°C ~ +50°C
Working Temperature	-20°C ~ +40°C
LED Luminous Flux	120LM/W
Beam Angle	120°
FPC board	10mm
LED Quantity	SMD2835 240LED/M
LED Type	KAIMEI
CRI	>80
SCDM	<5 SDM
Maximum Connection Length	5m
Minimum cut Length	7LED
Packaging Size(mm)	385mm*350mm*210mm
G.W(KGS)	6.9KG/CTN
Warranty	3-years

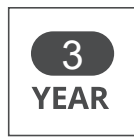
LED Strip AZ-2425



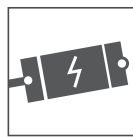
Beam
Angle



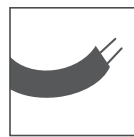
IP
Protection



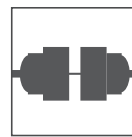
Warranty



Power
Supplies



Cables



Connectors



KEYLIGHT

SPAIN

LIGHTING PRODUCTS

FEATURES

- 2200-6500K multi-color temperature optional
- High efficiency and up to 120lm/W, 3LEDs or 6LEDs per cutting unit electrical design
- Only one bin per color for carefree handling and re-ordering
- Regular binning within 3step or 5step Macadam
- Narrower color variance than ANSI/CIE standard
- Offer CRI up to Ra80
- Easy installation due to solder-free connectors system optionally



KEYLIGHT
 SPAIN
 LIGHTING PRODUCTS

AZ-2425

SPECIFICATIONS

Product Code	AZ-2425
IP Rating	IP20
ROHS Instruction	Environmental Protection
Connection Type	Simple Type Wire Connection
Color Temperature	3000/4000/6000k
Lifetime(H)	30000H
Input Power(W)	25W/M
Input Voltage(V)	24VDC
Power Factor	>0.9
Storage Temperature	-30°C ~ +50°C
Working Temperature	-20°C ~ +40°C
LED Luminous Flux	120LM/W
Beam Angle	120°
FPC board	10mm
LED Quantity	SMD2835 240LED/M
LED Type	KAIMEI
CRI	>80
SCDM	<5 SDM
Maximum Connection Length	5m
Minimum cut Length	7LED
Packaging Size(mm)	385mm*350mm*210mm
G.W(KGS)	6.9KG/CTN
Warranty	3-years

LED Strip AZ-25070



FEATURES

- 12V 7W/M
- 3000-6500 K multi-color temperature optional
- Only one bin per color for carefree handling and re-ordering
- 3-years Warranty



KEYLIGHT

SPAIN
LIGHTING PRODUCTS

AZ-25070

SPECIFICATIONS

Product Code	AZ-25070
Color Temperature	3000/4000/6000
Input Power(W)	7 W/M
Beam Angle	120°
Input Voltage(V)	DC-12V
LED Type	COB
Lumen	560 lm
CRI	90
Width	5 mm
Chip QTY/M	300 P/M
Storage Temperature	-25 +40
Working Temperature	-25 +40
Cutting Unit	100 mm
Maximum Connection Length	5 m
Material	PVC + Copper
IP Rating	IP20
Waranty	3 years

LED Strip Az-28010



FEATURES

- 2200-6500K multi-color temperature optional
- COB Linear Light
- High Density LED No Shadow
- Flame Resistant
- UV Resistant
- Solvents Resistant
- Uniform Lighting





KEYLIGHT

SPAIN

LIGHTING PRODUCTS

Az-28010

SPECIFICATIONS

Product Code	AZ-28010
IP Rating	IP20
ROHS Instruction	Environmental Protection
Connection Type	Simple Type Wire Connection
Color Temperature	3000/4000/6000k
Lifetime(H)	30000H
Input Power(W)	10W/M
Input Voltage(V)	24VDC
Power Factor	>0.9
Storage Temperature	-25°C ~ +55°C
Working Temperature	-25°C ~ +40°C
Beam angle	115°
FPC board	8mm
LED Quantity	280 Pcs
Product Luminous Flux(lm)	900-1000 lm/m
LED Type	COB
CRI	>90
Maximum Connection Length	5m
Minimum cut Length	50mm
Warranty	3-years



KEYLIGHT

SPAIN

LIGHTING PRODUCTS

RGB LED Strip AZ-RGB-2415



FEATURES

- 24V 15W/M
- RGB
- 3-years Warranty

AZ-RGB-2415 SPECIFICATIONS



Product Code	AZ-RGB-2415
IP Rating	IP20
ROHS Instruction	Environmental Protection
Connection Type	Simple Type Wire Connection
Color Temperature	RGB
Lifetime(H)	30000H
Input Power(W)	15W/M
Input Voltage(V)	24VDC
Power Factor	>0.9
Storage Temperature	-30°C ~ +50°C
Working Temperature	-20°C ~ +40°C
LED Luminous Flux(lm)	110lm/w
Beam Angle	120°
FPC board	10mm
LED Quantity	SMD-3838-120P
Product Luminous Flux(lm)	350lm±10%
LED Type	HSG
SCDM	<5 SDM
Maximum Connection Length	5m
Minimum cut Length	50mm
Packaging Size(mm)	385mm*350mm*210mm
G.W(KGS)	6.8KG/CTN
Warranty	3-years

LED Strip

Az-IP65-5191



FEATURES

- 12V 12W/M
- 2200-6500K multi-color temperature optional
- 3-years Warranty



KEYLIGHT

SPAIN

LIGHTING PRODUCTS



KEYLIGHT

SPAIN

LIGHTING PRODUCTS

Az-IP65-5191

SPECIFICATIONS

Product Code	AZ-IP65-5191
IP Rating	IP65
ROHS Instruction	Environmental Protection
Connection Type	Simple Type Wire Connection
Color Temperature	3000/4000/6000k
Lifetime(H)	30000H
Input Power(W)	12W/M
Input Voltage(V)	12VDC
Power Factor	>0.9
Storage Temperature	-30°C ~ +50°C
Working Temperature	-20°C ~ +40°C
LED Luminous Flux	110LM/W
Beam Angle	120°
FPC board	10mm
LED Quantity	SMD2835 168P
Product Luminous Flux(lm)	1350lm±10%
LED Type	EPISTAR
CRI	>80
SCDM	<5 SDM
Maximum Connection Length	5m
Minimum cut Length	41.7mm
Packaging Size(mm)	520mm*430mm*270mm
G.W(KGS)	7.5KG/CTN
Warranty	3-years

Waterproof LED Strip AZ-IP65-2420



KEYLIGHT
SPAIN
LIGHTING PRODUCTS



FEATURES

- 24V 12W/M
- 2200-6500K multi-color temperature optional
- 3-years Warranty



KEYLIGHT
 SPAIN
 LIGHTING PRODUCTS

AZ-IP65-2420 SPECIFICATIONS

Product Code	AZ-IP65-2420
IP Rating	IP65
ROHS Instruction	Environmental Protection
Connection Type	Simple Type Wire Connection
Color Temperature	3000/4000/6000k
Lifetime(H)	30000H
Input Power(W)	12W/M
Input Voltage(V)	24VDC
Power Factor	->0.9
Storage Temperature	-30°C ~ +50°C
Working Temperature	-20°C ~ +40°C
LED Luminous Flux	110LM/W
Beam Angle	120°
FPC board	10mm
LED Quantity	SMD2835 168P
Product Luminous Flux(lm)	1350lm±10%
LED Type	EPISTAR
CRI	>80
SCDM	<5 SDM
Maximum Connection Length	5m
Minimum cut Length	41.7mm
Packaging Size(mm)	520mm*430mm*270mm
G.W(KGS)	7.5KG/CTN
Warranty	3-years

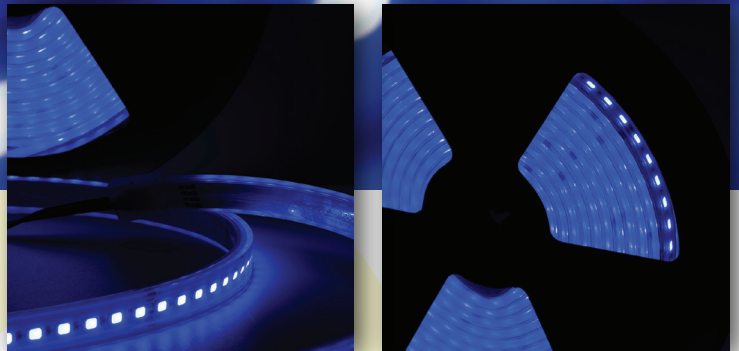


KEYLIGHT

SPAIN

LIGHTING PRODUCTS

Waterproof LED Strip AZ-IP65-RGB-2415



FEATURES

- 24V 12W/M
- RGB
- 3-years Warranty



KEYLIGHT

SPAIN

LIGHTING PRODUCTS

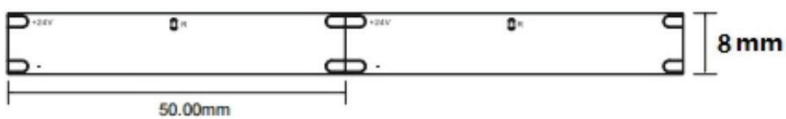
AZ-IP65-RGB-2415

SPECIFICATIONS

Product Code	AZ-IP65-RGB-2415
IP Rating	IP65
ROHS Instruction	Environmental Protection
Connection Type	Simple Type Wire Connection
Color Temperature	RGB
Lifetime(H)	30000H
Input Power(W)	12W/M
Input Voltage(V)	24VDC
Power Factor	>0.9
Storage Temperature	-30°C ~ +50°C
Working Temperature	-20°C ~ +40°C
Beam Angle	120°
FPC board	10mm
LED Quantity	SMD-3838-120P
Product Luminous Flux(lm)	260lm±10%
LED Type	HSG
SCDM	<5 SDM
Maximum Connection Length	5m
Minimum cut Length	50mm
Packaging Size(mm)	520mm*430mm*270mm
G.W(KGS)	21.2KG/CTN
Warranty	3-years

LED Strip

AZ-IP65-28010



FEATURES

- 24V 10W/M
- Silicone extrusion skill COB Linear light
- New Technical against traditional strips
- High density LED no Shadow



KEYLIGHT
 SPAIN
 LIGHTING PRODUCTS

AZ-IP65-28010

SPECIFICATIONS

Product Code	AZ-IP65-28010
Power Input Power(W)	10 W
Input	24 V
Luminus flux	850-950 lm/m
Color Temperature	2700-6500 k
FPCB width	8 mm
MAX RUN Length	5 M
Beam Angle	115°
LED QTY	280 Pcs
CUTTING	50 mm
LED Type	COB
Working Temperature	-25 ~ 40 °C
Storage Temperature	-25 ~ 55 °C
IP Rating	IP 65
Waranty	3 YEARS



Flame
Resistant



UV
Resistant

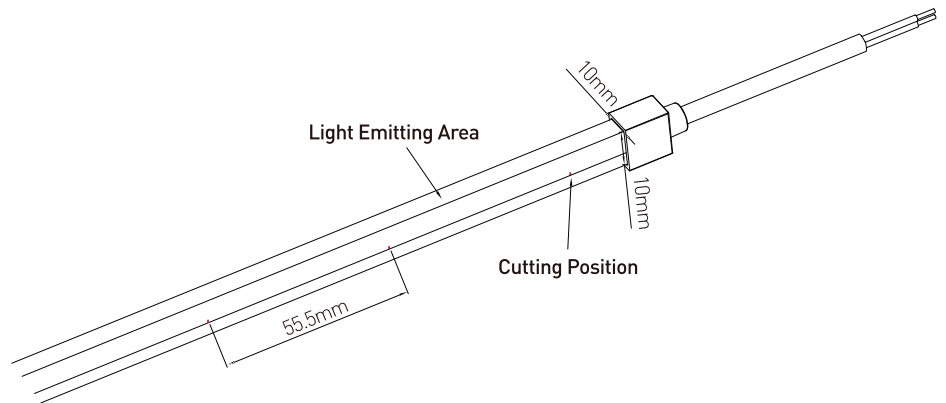


Solvents
Resistant



IK08
Protection

Silicone LED Strip AZ-IP65/67-1010



Flame
Resistant



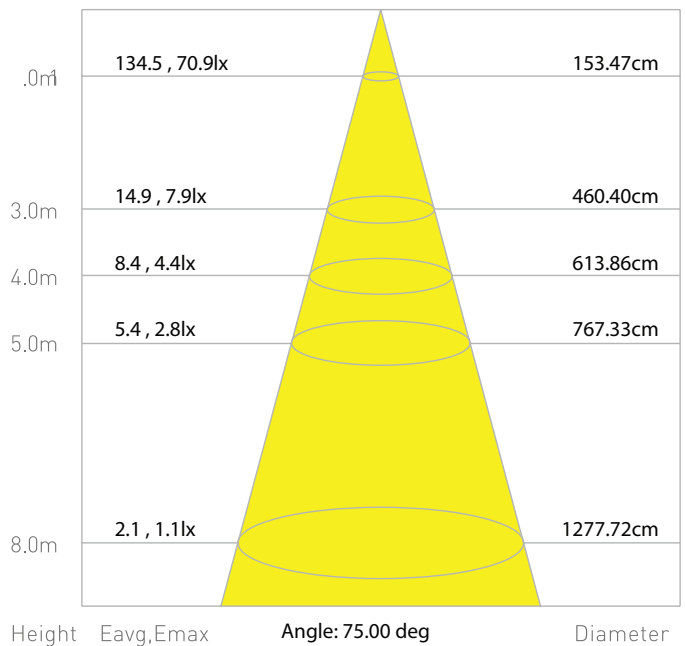
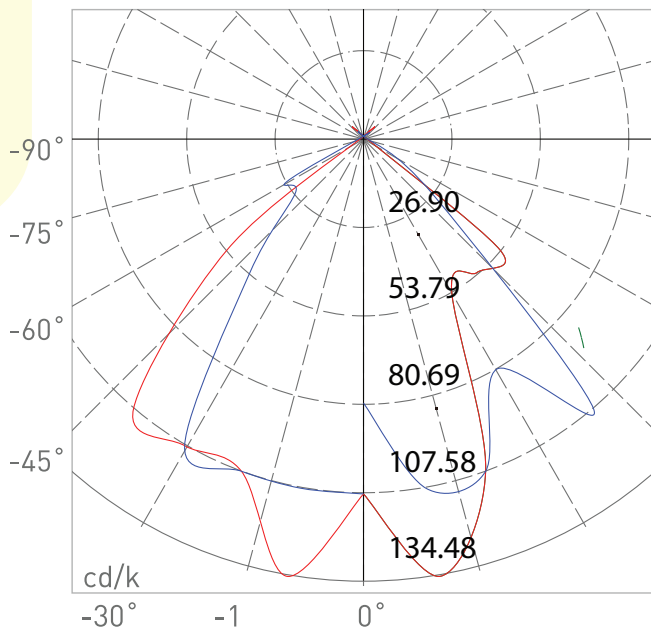
UV
Resistant



Solvents
Resistant



IK08
Protection



FEATURES

- Silicone extrusion molding technology
- Side bend, vertical direction
- Excellent weather resistance and UV resistance
- Excellent flexibility for proper bending and easy modeling
- Working temperature:-25~40
- Storage temperature:-25~55



AZ-IP65/67-1010

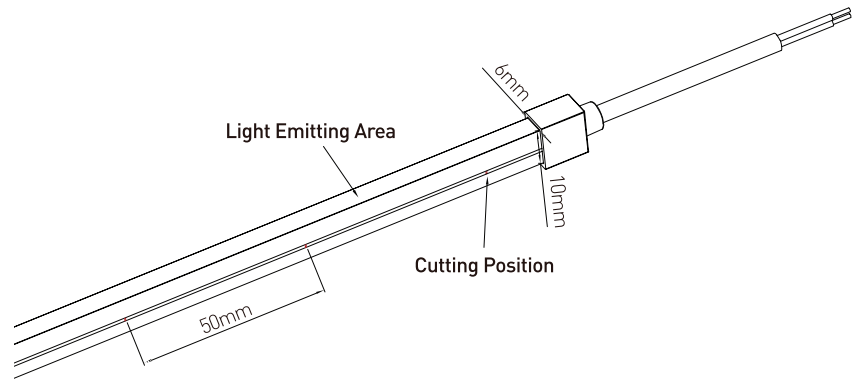
SPECIFICATIONS



Product Code	AZ-IP65/67-1010
IP Rating	IP65/67
ROHS Instruction	Environmental Protection
Connection Type	Simple Type Wire Connection
Color Temperature	3000/4000/6000k
Lifespan	7 years
Input Power(W)	9 W/M
Input Voltage(V)	24VDC
Power Factor	>0.9
Storage Temperature	-25°C ~ +55°C
Working Temperature	-25°C ~ +40°C
LED Luminous Flux	750LM/m
Beam Angle	120°
FPC board	10mm
LED Quantity	SMD2835 126P
Product Luminous Flux(lm)	1440lm ±10%
LED Type	EPISTAR
CRI	>80
SCDM	<5 SDM
Maximum Connection Length	5m
Minimum cut Length	50mm
Body Size	6mm*10mm
Warranty	3-years



Silicone LED Strip AZ-IP65/67-1010



Flame Resistant



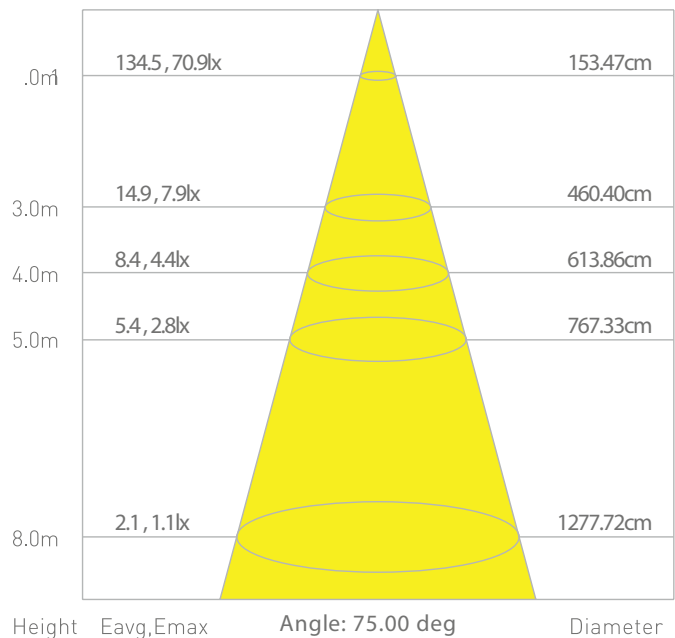
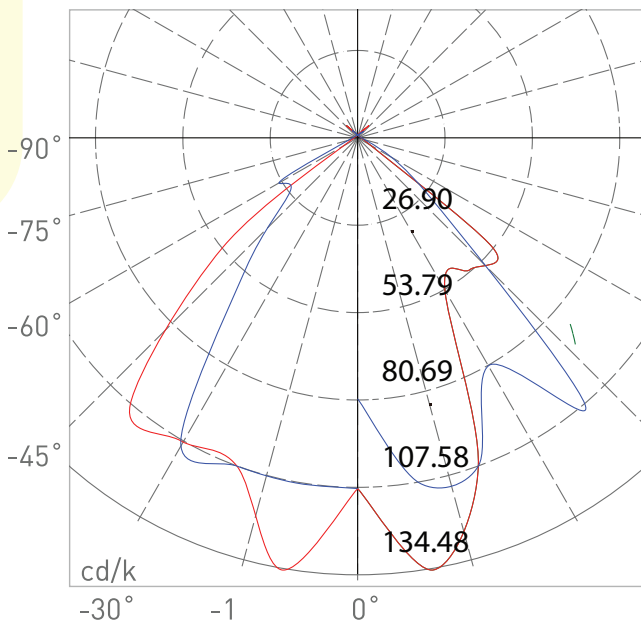
UV Resistant



Solvents Resistant



IK08 Protection



FEATURES

- Silicone extrusion molding technology
- Side bend, vertical direction
- Excellent weather resistance and UV resistance
- Excellent flexibility for proper bending and easy modeling
- Working temperature:-25~40
- Storage temperature:-25~55



AZ-IP65/67-0410

SPECIFICATIONS



Product Code	AZ-IP65/67-0410
IP Rating	IP65/67
ROHS Instruction	Environmental Protection
Connection Type	Simple Type Wire Connection
Color Temperature	3000/4000/6000k
Lifespan	7 years
Input Power(W)	7.2W/M
Input Voltage(V)	24VDC
Power Factor	>0.9
Storage Temperature	-25°C ~ +55°C
Working Temperature	-25°C ~ +40°C
LED Luminous Flux	200LM/m
Beam Angle	120°
FPC board	10mm
LED Quantity	SMD2835 238P
Product Luminous Flux(lm)	1440lm ±10%
LED Type	EPISTAR
CRI	>80
SCDM	<5 SDM
Maximum Connection Length	5m
Minimum cut Length	50mm
Body Size	6mm*10mm
Warranty	3-years



FLEXIBLE LED WALL WASHER IP65 WITH OPTIC LENS AZ-IP65-6131



FEATURES

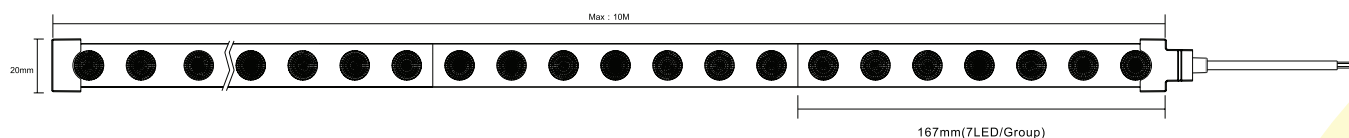
- PC lens with Silicone encapsulation For durability, reliability, and ease of installation
- Mounting method: 3M glue tape or mounting clips or match with the aluminum profile
- CE ROHS Certified
- 3-years Warranty

FLEXIBLE LED WALL WASHER IP65 WITH OPTIC LENS AZ-IP65-6131

SPECIFICATIONS

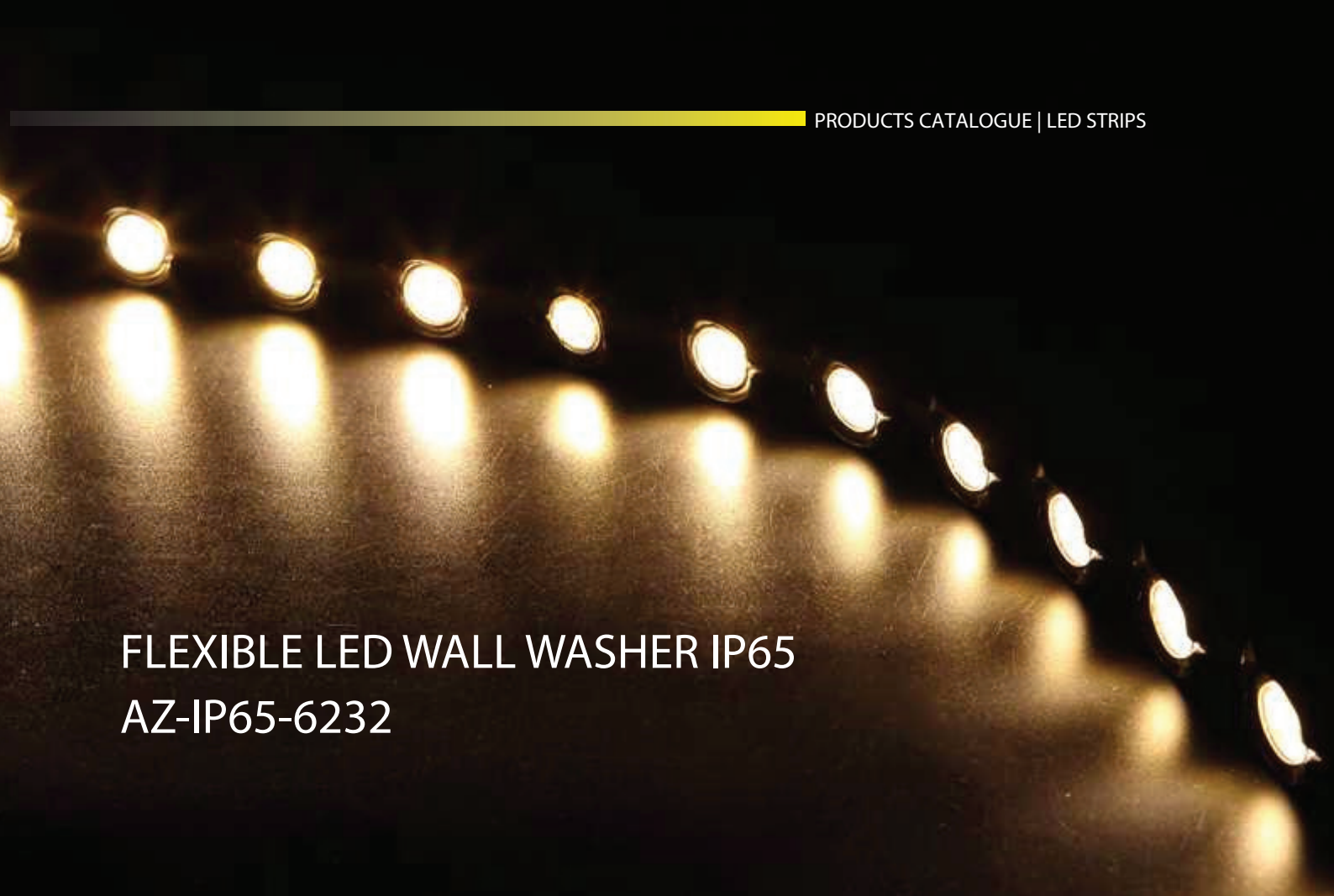


Product Code	AZ-IP65-6131
IP Rating	IP65
Input Power(W)	15W/M
Input Voltage(V)	24VDC
Run Length	10M/Roll
Beam Angle	10°/30°/45°/60°/90°/110°
CRI	+94
Warranty	3-years



Notice: Can be cutted by every 167mm, but we don't supply the fast connection, customers should do the soldering by themselves after cutting.





FLEXIBLE LED WALL WASHER IP65 AZ-IP65-6232

FEATURES

- 3D Flexible LED wall washer is our patent product
- Both in vertical and horizontal bending (3D bending)
- Vertical bending diameter: 150mm
- Horizontal bending diameter: 300mm
- Optional angle: 30°.Anti-glare effect.
- Fast connectors and mounting accessories are available.
- Max. Run :16FT/Roll(4.87m/Roll), one side with power cords
- 5 years warranty



KEYLIGHT

SPAIN

LIGHTING PRODUCTS

AZ-IP65-6232

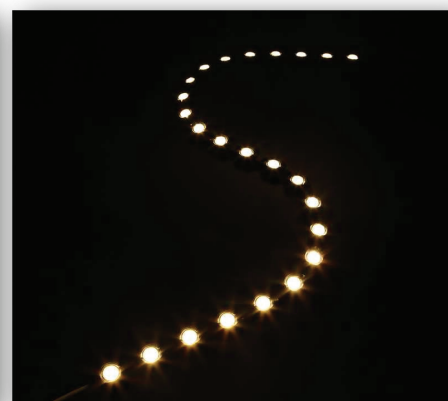
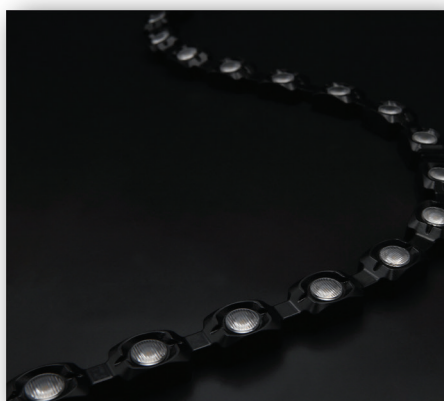
SPECIFICATIONS

Product Code	AZ-IP65- 6232
Color Temperature	2700k-6000k24 V
Power (0.6M)	11.6 W
Brightness (LM/0.6)	1080 LM
Light efficiency	95 LM/W
LED (QTY/0.6M)	16 PCS
CRI	+90
IP Rating	67
Waranty	5 YEARS



Product parameters

Item	Color temp. Wave lengths	Brightness (LM/0.6m)	Power/0.6M	Conical surface Flux(120°) (LM/0.6m)	Light efficiency	Energy efficiency Grade	LED Qty/0.6M	Forward Current
ES-LS2835WW-14-24(30°)	2700K	980LM	<11.6W	931LM	85LM/W	F	16pcs	483mA/M
ES-LS2835WW-14-24(30°)	3000K	1040LM	<11.6W	988LM	90LM/W	F	16pcs	483mA/M
ES-LS2835NW-14-24-(30°)	4000K	1080LM	<11.6W	1026LM	95LM/W	F	16pcs	483mA/M



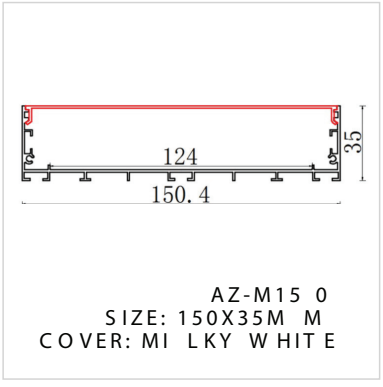
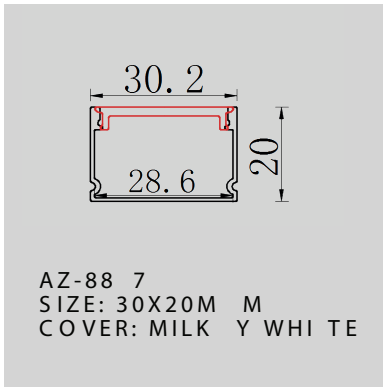
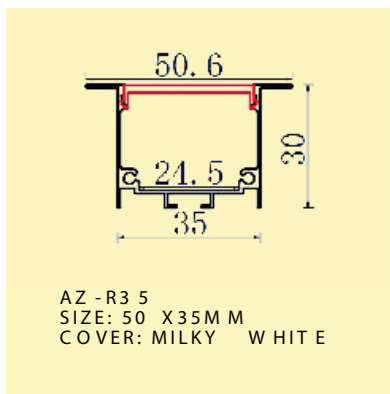
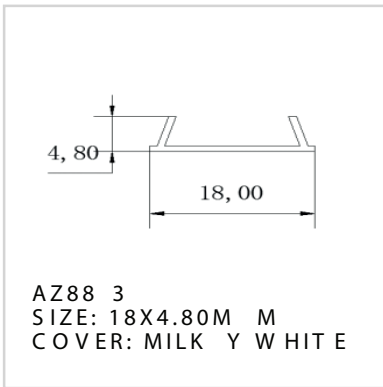
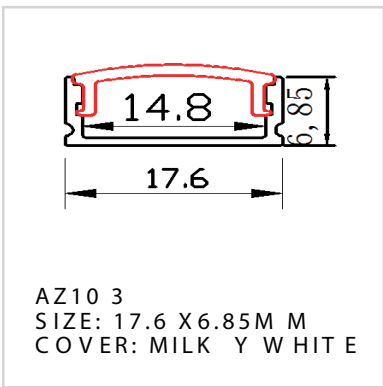
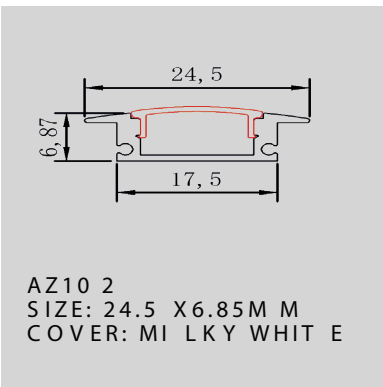
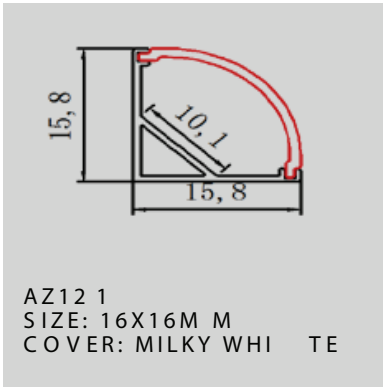
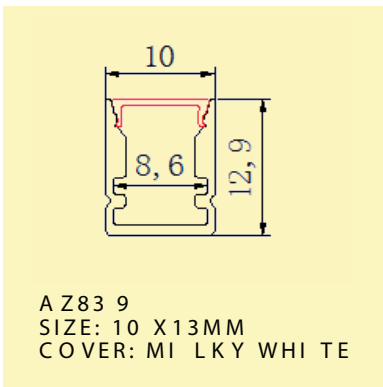
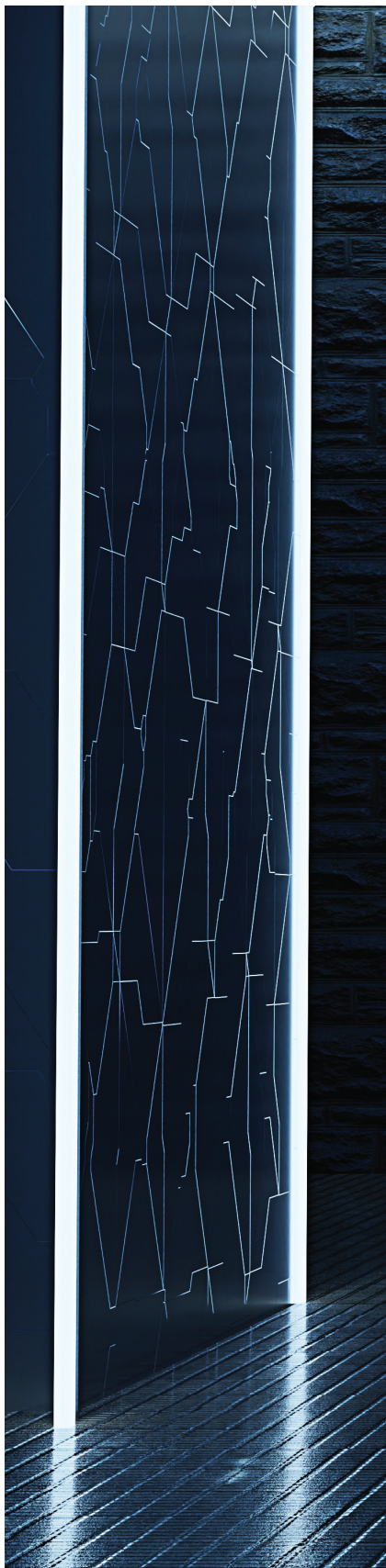
ALUMINUM PROFILING



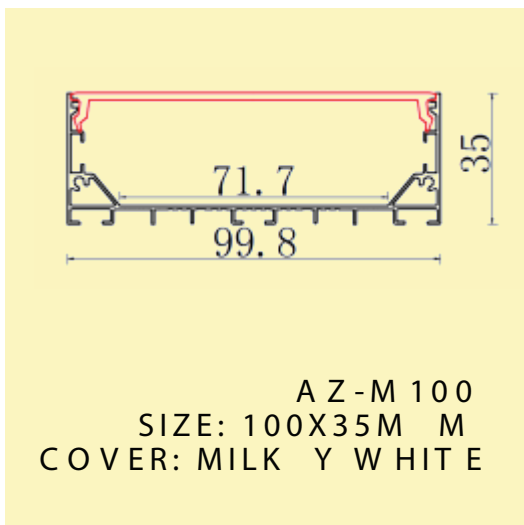
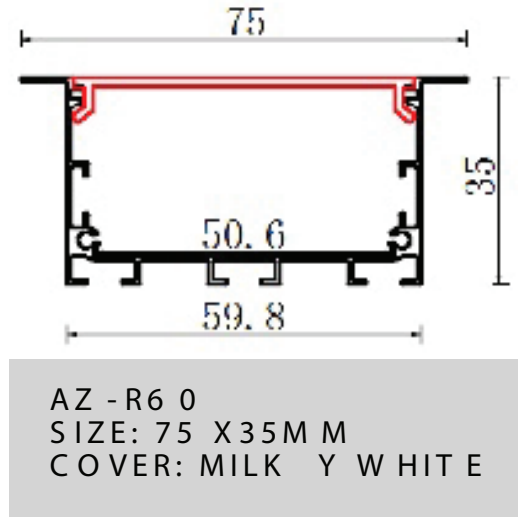
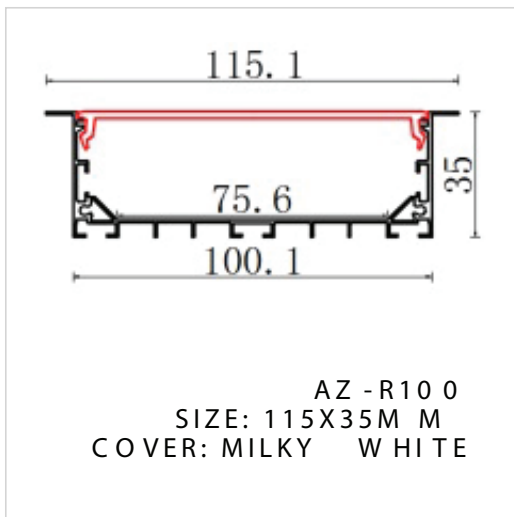
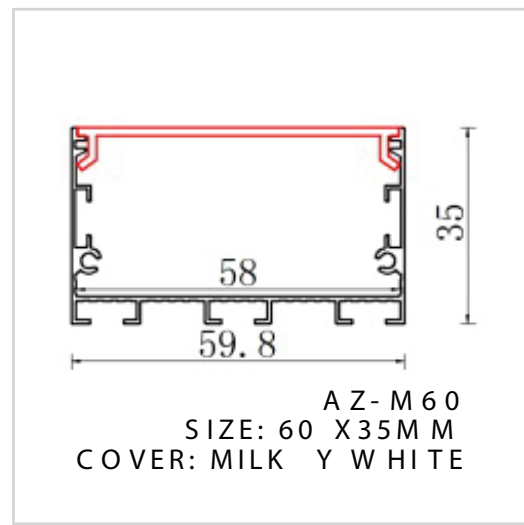
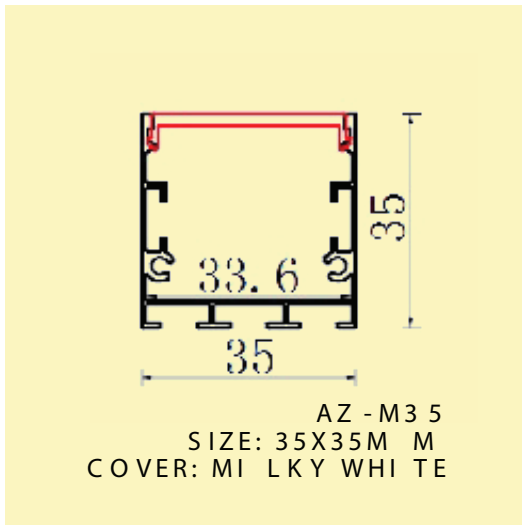
KEYLIGHT

SPAIN

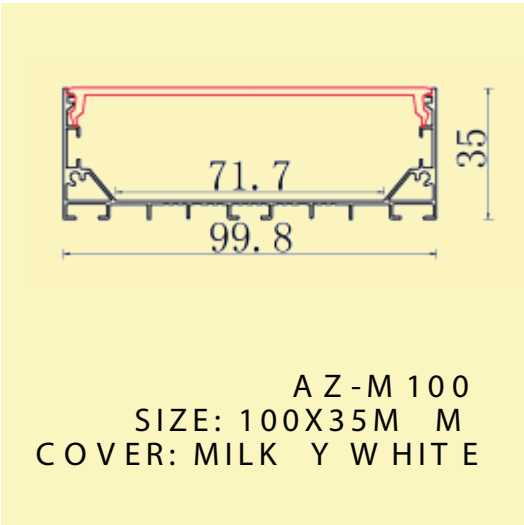
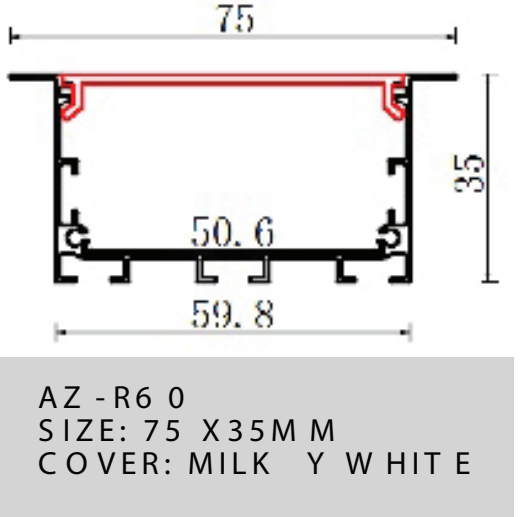
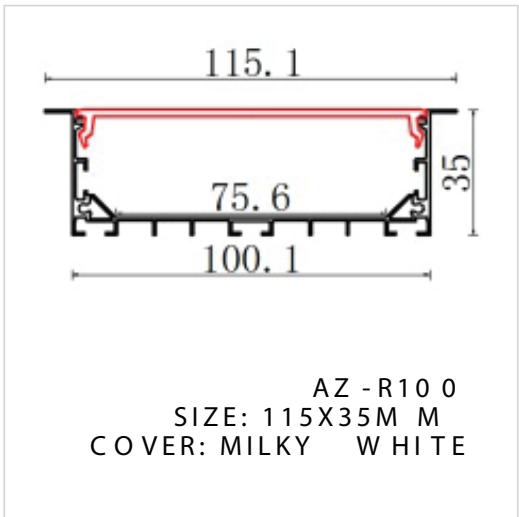
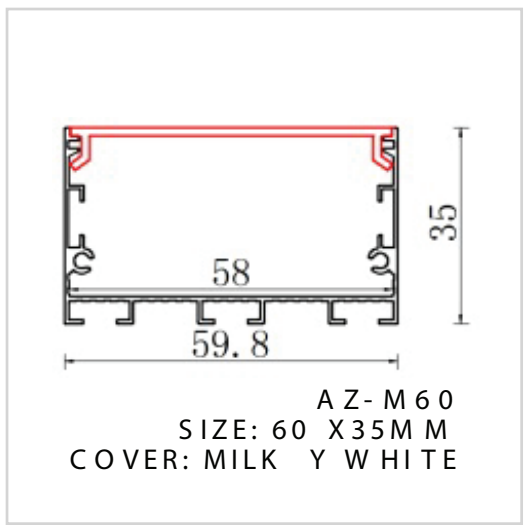
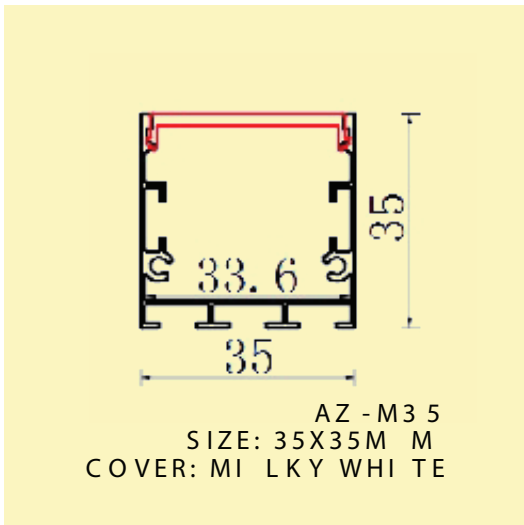
LIGHTING PRODUCTS

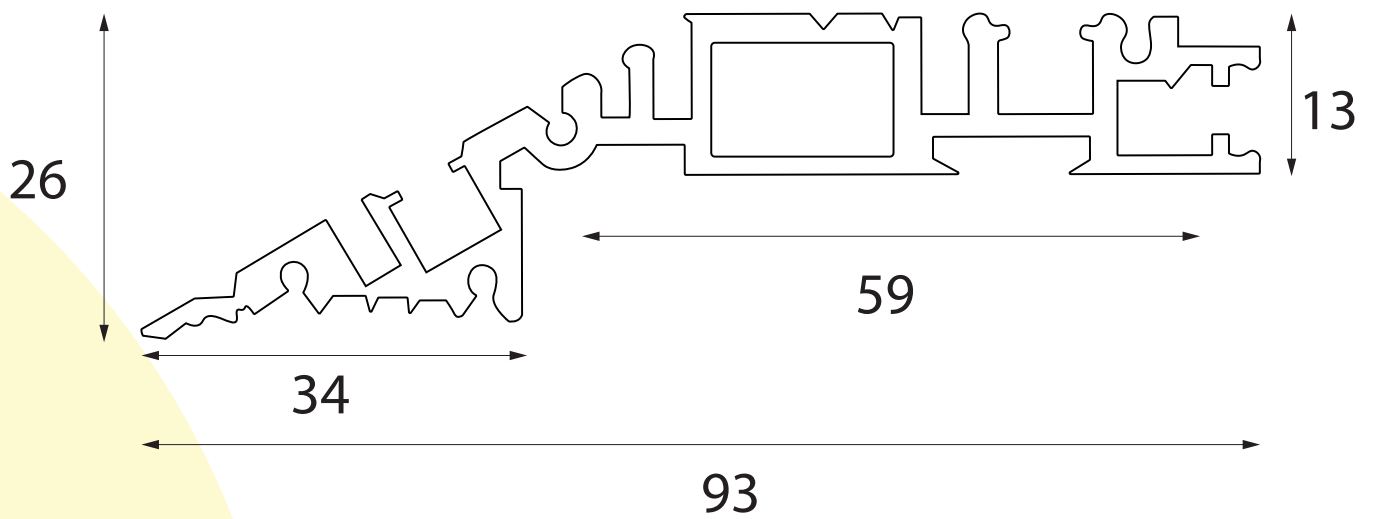




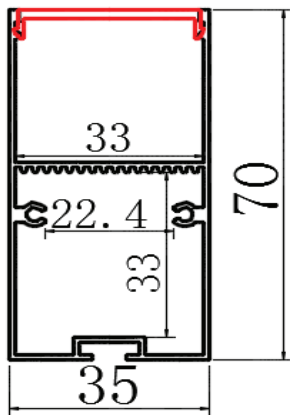




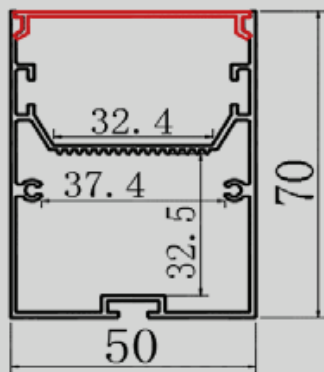




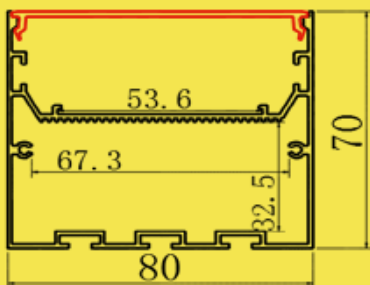
0 EDGE PROFILE
SIZE: 75X35MM
COVER: MILKY WHITE



A Z - D 3 5
SIZE: 3 5 X 7 0 M M
COVER: MILKY WHI T E



A Z - D 5 0
SIZE: 5 0 X 7 0 M M
COVER: MILK Y W H I T E



A Z - D 8 0
SIZE: 8 0 X 7 0 M M
COVER: MI LKY WHI T E





KEYLIGHT

SPAIN

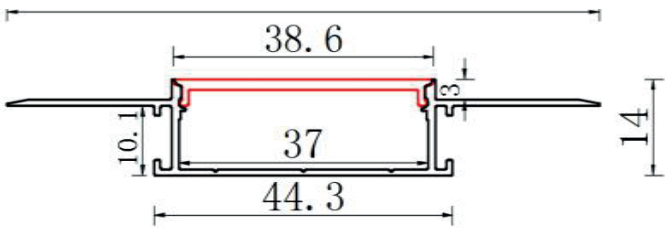
LIGHTING PRODUCTS



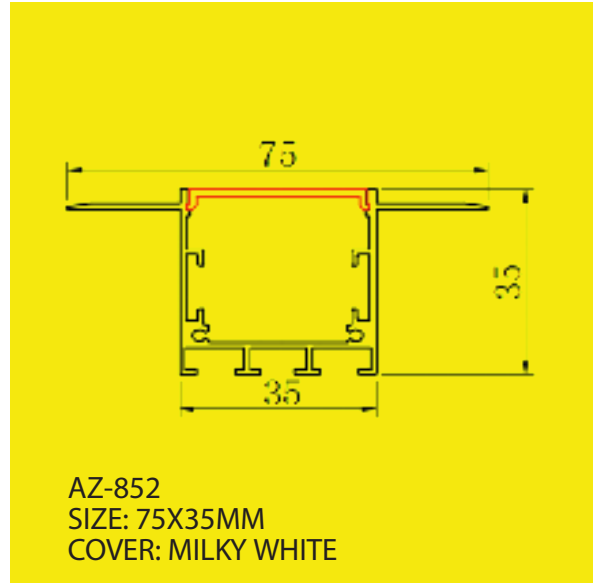
KEYLIGHT

SPAIN

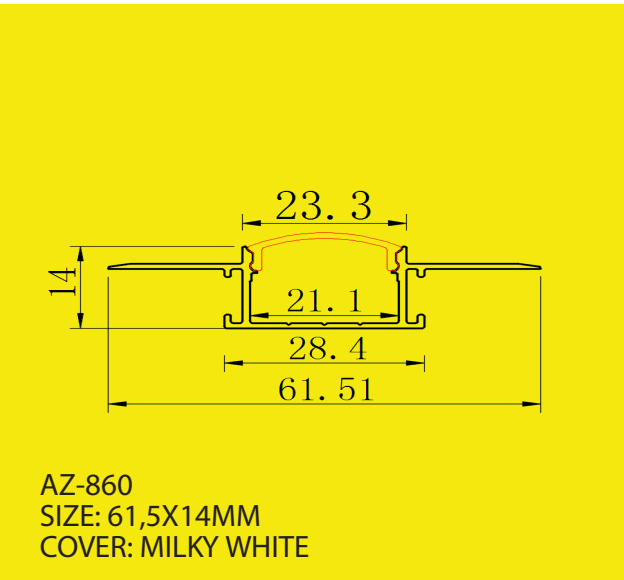
LIGHTING PRODUCTS



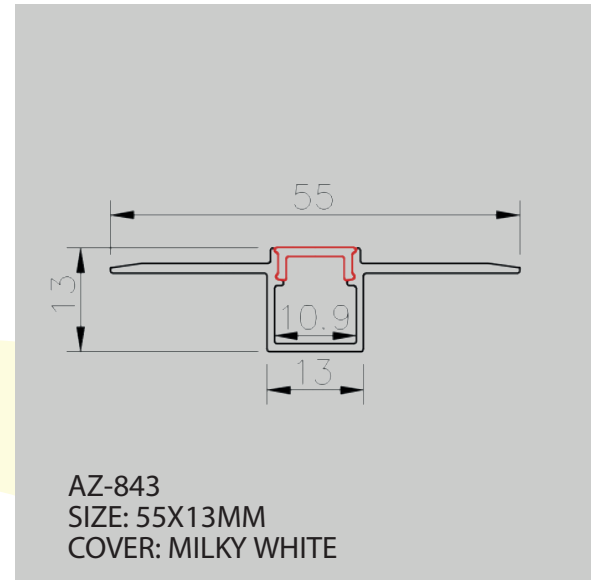
AZ-840
SIZE: 88X14MM
COVER: MILKY WHITE



AZ-852
SIZE: 75X35MM
COVER: MILKY WHITE



AZ-860
SIZE: 61,5X14MM
COVER: MILKY WHITE



AZ-843
SIZE: 55X13MM
COVER: MILKY WHITE



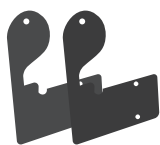
KEYLIGHT

SPAIN

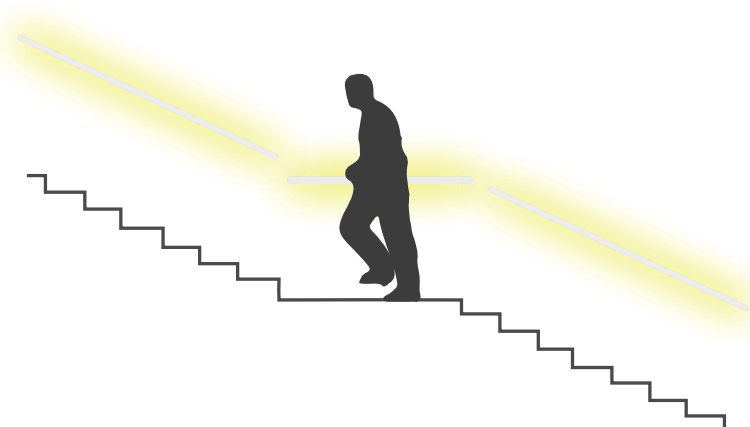
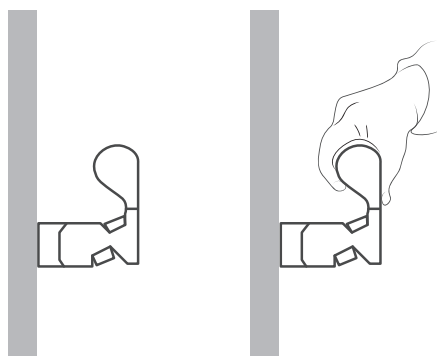
LIGHTING PRODUCTS

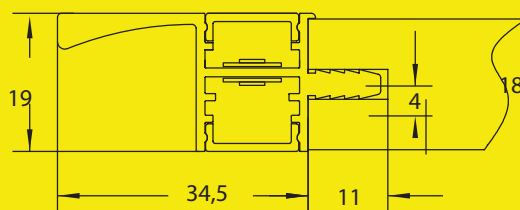


AZ-589
HAND RAIL
BLACK PROFILE



Endcap





AZ-777
SIZE: 44.5X19MM
COVER: MILKY WHITE



KEYLIGHT

SPAIN

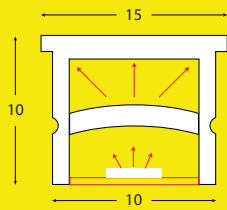
LIGHTING PRODUCTS



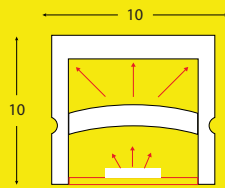
KEYLIGHT

SPAIN

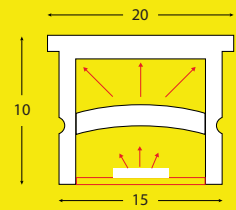
LIGHTING PRODUCTS



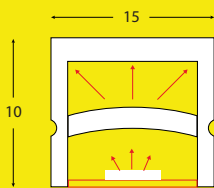
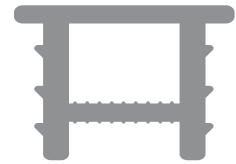
AZ-1010
SIZE:
10X15MM



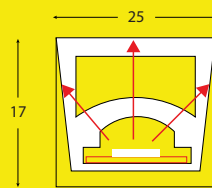
AZ-1010M
SIZE:
10X15MM



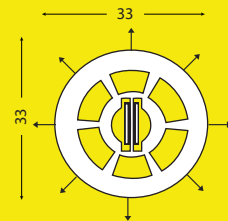
AZ-1510
SIZE:
10X20MM



AZ-1510M
SIZE:
10X15MM



AZ-2517M
SIZE:
17X25MM



AZ-D33
SIZE:
33x33MM



KEYLIGHT

SPAIN

LIGHTING PRODUCTS



KEYLIGHT
SPAIN
LIGHTING PRODUCTS

KEYLIGHT BY LUCREATIVE

TEL: +34 677 65 56 22

EMAIL: INFO@KEYLIGHTSPAIN.EU